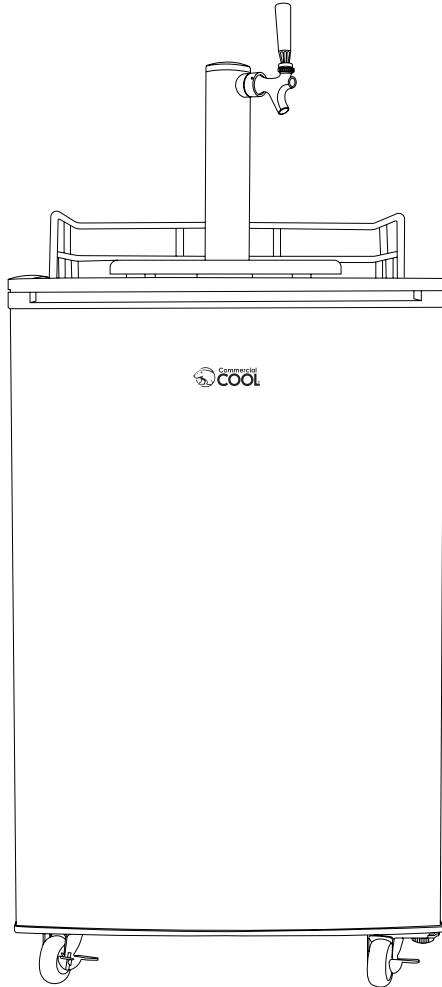




# Beer Kegerator User Manual



MODEL #: CCBD10HB

# CONTENTS

## SAFETY INFORMATION

Important Safety Instructions.....	3-4
Important Safety Precautions of CO <sub>2</sub> Gas.....	5
Refrigerant .....	5

## SET UP & USE

Parts & Features .....	6-7
Use of Extension cords .....	8
Installation Guide .....	9-13
Operating Your Beer Kegerator .....	14
Operating The Unit As A Refrigerator.....	15

CLEANING & CARE.....	16
----------------------	----

## TROUBLESHOOTING & WARRANTY

Before You Call For Service.....	17
Customer Service.....	17
Limited Warranty .....	18

# PRODUCT REGISTRATION

Thank you for purchasing our COMMERCIAL COOL product. This easy-to-use manual will guide you in getting the best use of your Beer Kegerator.

Remember to record the model and serial numbers. They are on a label on the rear.

\_\_\_\_\_

Model number

\_\_\_\_\_

Serial number

\_\_\_\_\_

Date of purchase

Staple your receipt to your manual.  
You will need it to obtain warranty service.

# SAFETY INFORMATION

## **DANGER**

**DANGER** - Immediate hazards which **WILL** result in severe personal injury or death

## **WARNING**

**WARNING** - Hazards or unsafe practices which **COULD** result in severe personal injury or death

## **CAUTION**

**CAUTION** - Hazards or unsafe practices which **COULD** result in minor personal injury

# IMPORTANT SAFETY INSTRUCTIONS

## **WARNING**

Read all of the instructions before using this appliance. When using this appliance, always exercise basic safety precautions, including the following:

1. Use this appliance only for its intended purpose as described in this operation manual.
2. This appliance must be properly installed in accordance with the installation instructions before it is used. See the installation section for more details.
3. This appliance must be connected to a proper electrical outlet with the correct electrical supply.
4. Proper grounding must be ensured to reduce the risk of shock and fire. Do not cut or remove the grounding pin! If you do not have a three-prong electric receptacle outlet in the wall, have a certified electrician install the proper outlet. The wall receptacle must be properly grounded.
5. Never unplug your appliance by pulling on the power cord. Always grasp the plug firmly and pull straight out from the outlet.
6. Immediately replace worn power cords, loose plugs and power outlets. If the supply cord is damaged it must be replaced by the manufacturer or its service agent or a similarly qualified person in order to avoid a hazard.
7. To reduce the risk of electric shock or fire, do not use extension cords or adapters to connect the unit to an electrical power source.
8. Unplug your appliance before cleaning or making any repairs.
9. We suggest that a certified technician perform the service if for any reason this product requires service.
10. This appliance should not be recessed or built into an enclosed cabinet. It is designed for freestanding installation only.
11. Do not operate your appliance in the presence of explosive fumes.
12. Do not tamper with the controls.
13. Do not operate this appliance when parts are missing or broken.
14. Do not use this appliance for commercial use.
15. This appliance is designed for indoor use only and should not be used outdoors.

# SAFETY INFORMATION

16. To reduce the risk of injury, do not allow children to play in or on the appliance. Close supervision is necessary when the appliance is used near children.
17. The appliance door must be closed during operation. Do not leave the door open when children are near the dispenser.
18. Do not run cord under carpeting or other heat insulators. Do not cover the cord. Keep cord away from traffic areas, and do not submerge in water. DO NOT attempt to operate this unit with a damaged cord or plug.
19. DO NOT roll the beer kegerator with loaded beer kegs on carpet floor.
20. This appliance is not intended for use by young children or infirm persons without supervision.
21. This appliance is NOT A TOY!
22. Young children should be supervised to ensure that they do not play with this appliance.
23. When transporting the unit, keep it in the upright position. Do not tilt the appliance beyond 45° or place the unit in upside down position.
24. **▲ DANGER** - Risk of child entrapment. Before throwing away your old appliance, remove the door so that children may not easily become trapped inside.
25. Take off the doors. Leave the shelves or other accessories in place so that children may not easily become trapped inside.
26. **▲ WARNING** - Handle the unit carefully when moving or using the product to avoid damaging the refrigerant tubing or increasing the risk of a leak.

## SAVE THESE INSTRUCTIONS HOUSEHOLD USE ONLY

### REFRIGERANT GAS WARNINGS

- ▲ DANGER** - Risk of fire or explosion. Flammable refrigerant used. To be repaired only by trained service personnel. DO NOT puncture refrigerant tubing.
- ▲ DANGER** - Risk of fire or explosion. Flammable refrigerant used. Consult repair manual/owner's guide before attempting to service this product. All safety precautions must be followed.
- ▲ WARNING** - Risk of fire or explosion. Dispose of properly in accordance with federal or local regulations. Flammable refrigerant used.
- ▲ WARNING** - Risk of fire or explosion due to puncture of refrigerant tubing; Follow handling instructions carefully. Flammable refrigerant used.

# SAFETY INFORMATION

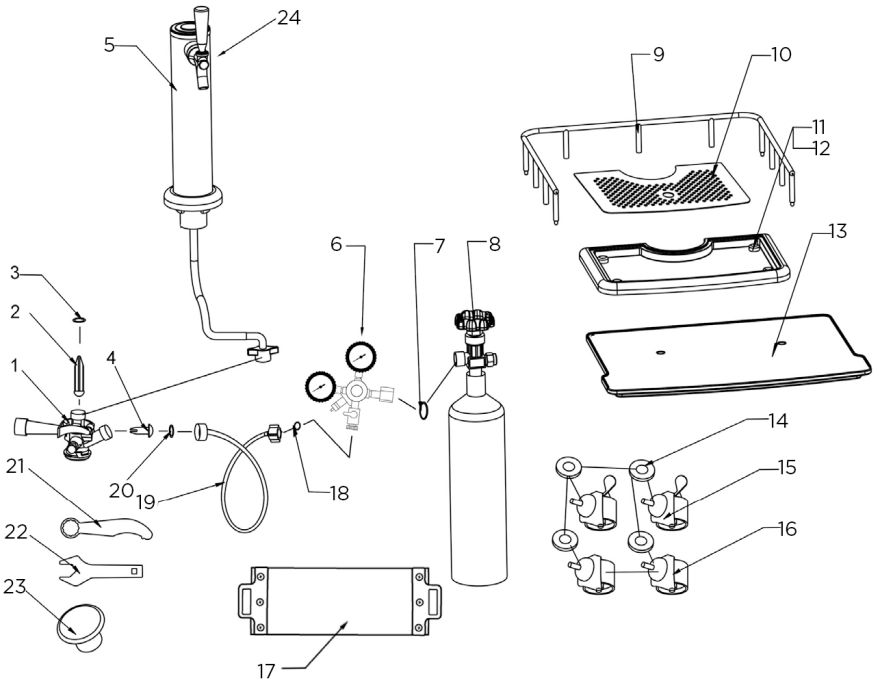
## IMPORTANT SAFETY PRECAUTIONS OF CO<sub>2</sub> (CARBON DIOXIDE) GAS

1. CO<sub>2</sub> gas can be dangerous! CO<sub>2</sub> cylinders contain high-pressure compressed gas, which can be hazardous if not handled properly. Make sure you read and understand all the procedures for the CO<sub>2</sub> cylinders.
2. Always connect the CO<sub>2</sub> cylinder to a regulator! Failure to do so may cause an explosion resulting in possible death or injury when the cylinder valve is opened.
3. Never connect the CO<sub>2</sub> cylinder directly to the product container.
4. Always follow the correct procedures when changing cylinders.
5. Never drop or throw a CO<sub>2</sub> cylinder.
6. Always keep CO<sub>2</sub> cylinders away from heat. Store extra cylinder at a cool place (preferably lower than 70°F). Securely fasten with a chain in an upright position when storing.
7. Always ventilate and leave the area immediately if CO<sub>2</sub> leakage has occurred!
8. There are two safety devices in the pressure system in the form of valves. One safety feature is on the CO<sub>2</sub> bottle. The second is on the regulator.
9. Never attempt to refill CO<sub>2</sub> cylinder yourself. CO<sub>2</sub> tanks can be refilled at locations such as welding supply shops, party stores, fire supply shops, or where kegs are purchased.

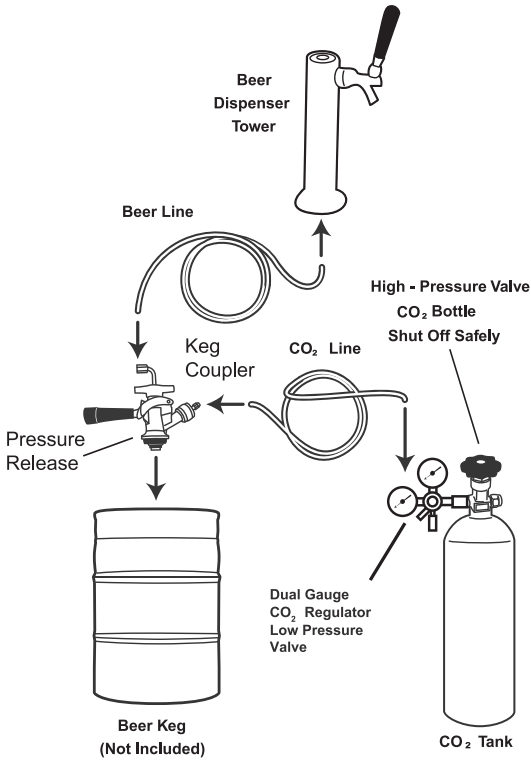
# SAFETY INFORMATION

## PARTS & FEATURES

#1 Keg Coupler (Fits D-Shankey Keg Valves) Qty. 1	#2 Backflow Stopper Qty. 1	#3 Rubber Washer Qty. 1	#4 Rubber Directional Washer Qty. 1
#5 Beer Tap/Hose Assembly Qty. 1	#6 CO <sub>2</sub> Regulator Qty. 1	#7 High Pressure Washer, White Nylon Qty. 1	#8 CO <sub>2</sub> Tank Valve Qty. 1
#9 Guard Rail Qty. 1	#10 Drip Tray Grate Qty. 1	#11 Drip Tray Pan Qty. 1	#12 Rubber Foot Qty. 4
#13 Keg Base Board Qty. 1	#14 Metal Washer Qty. 4	#15 Casters with Locking Mechanism Qty. 2	#16 Casters Qty. 2
#17 CO <sub>2</sub> Tank Band Qty. 1	#18 Air Hose Wing Nut Washer Qty. 1	#19 Air Hose Qty. 1	#20 Air Hose Connector Washer Qty. 1
#21 Beer Tap Wrench Qty. 1	#22 Regulator Wrench Qty. 1	#23 Beer Tower Hole Plug Qty. 1	#24 Beer Tapper & Handle Qty. 1



# SAFETY INFORMATION



The coupler for this beer kegerator is compatible with the following barrels:  
**NOTE:** The keg is not included.

1/4 barrel - Such as a Pony or a Slim Pony Keg	1/6 barrel - Such as a Cornelius Keg	1/2 barrel - Or a U.S full sized keg
<p>41.0 cm (16-1/8 in.)            Quarter Barrel</p>	<p>23.5 cm (9-1/4 in.)            One-Sixth Barrel</p>	<p>41.0 cm (16-1/8 in.)            Half Barrel</p>

# SAFETY INFORMATION

## PROPER LOCATION

- To ensure that your beer kegerator works to the maximum efficiency it was designed for, keep it in a location where there is proper air circulation and electrical outlets.
- Choose a location where the beer kegerator will be away from heat and will not be exposed to direct sunlight.
- **This beer kegerator is designed for indoor use only - it should NOT be used outdoors.**
- This Beer kegerator is a freestanding design and should not be placed in a built-in or recessed area.
- Beer kegerator unit dimensions:  
21.1" × 26.6" × 33.2" (WxDxH)  
Recommended clearance space around the beer kegerator: Side: 5 inches; Back: 5 inches

## USE OF EXTENSION CORDS

Always avoid using an extension cord because of potential safety hazards in certain conditions. If it is necessary to use an extension cord, use only a 3-wire extension cord that has a 3-blade grounding plug. Cord must be No. 16 AWG minimum size.

## TECHNICAL DATA:

Input : 115V

Rated: 115V-60Hz

Rated Current: 1.1A

Capacity: 170L/6.0 CU. FT.



# SET UP & USE

## INSTALLATION GUIDE

Read the installation guide carefully to ensure you understand all instructions before installing the beer kegerator. If after completing the process you are still unsure whether the beer kegerator has been properly installed, we recommend that you contact a qualified installer.

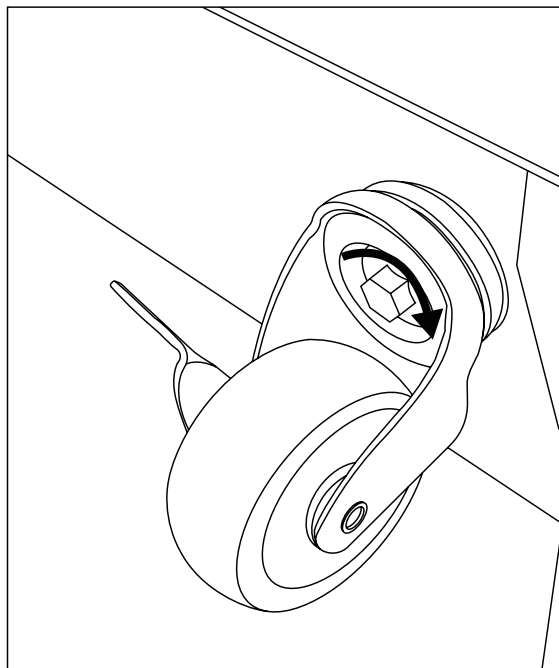
**NOTE:** Allow the beer kegerator to stand in an upright position for at least 8 hours before plugging in the unit. **This is very important!** Once the unit is laid on its side, the refrigerant in the refrigeration system is shifted. If the kegerator has been placed in a horizontal or tilted position for any period of time, please wait at least 24 hours before plugging the unit in. The refrigerant in the refrigeration system needs to stabilize before the unit is turned on.

### Installing the Casters

Follow the steps below to install casters:

**NOTE:** Two of the casters include locking mechanisms to ensure the unit does not slide on hard floors. These two locking casters should be fastened at the front end of the unit, with the unlocked casters fastened on the rear end.

1. Empty the inside of the beer kegerator. Once emptied, place the unit down on its side. We recommend that you place a piece of cardboard or cloth underneath the cabinet to prevent dents or scratches.
2. Insert the casters into the holes on the bottom corners of the cabinet. Tighten each caster by turning the nut clockwise with a wrench (not provided in the kit).
3. Once all four casters have been tightened, stand the cabinet in its upright position.



# SET UP & USE

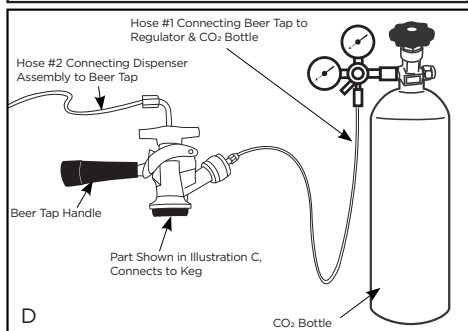
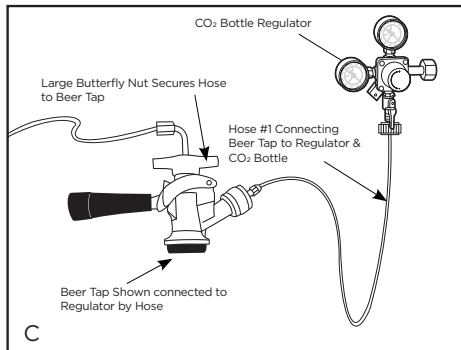
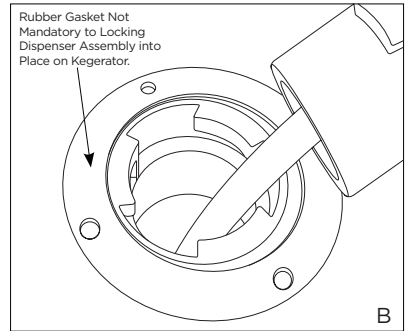
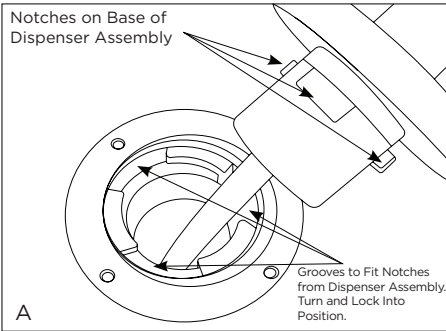
## INSTALLING THE BEER TAP

Follow the steps below to install the beer tap.

There are notches on the bottom of draft arm assembly that line up with grooves inside the opening on the top of the beer kegerator. Align the draft arm with the opening on the top of unit, then place inside and twist unit secure. No screws are necessary, it locks into place.

Pay attention when using the thin black gasket for assembly. (See illustrations A & B on this page)

Also, See illustrations C & D, showing the hose connections to CO<sub>2</sub> regulator and the regulator to the beer tap.



# SET UP & USE

## INSTALLING THE GUARDRAIL

Following these steps below to install the guardrail.

1. Place the guardrail on top of the cabinet.
2. Align all support feet of the guardrail with the holes on the top of the unit.

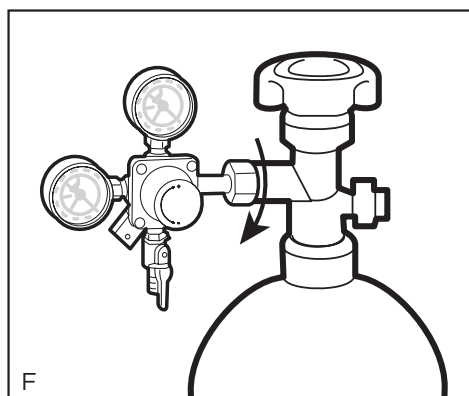
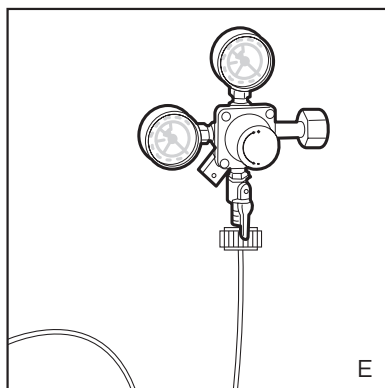
**NOTE:** Holes may need to be drilled to place guardrail. In this case, drill one hole on each side at a time instead of drilling one whole side and then the other. This method will expand the metal and allow the guardrail to fit in place.

## INSTALLING THE CO<sub>2</sub> REGULATOR AND THE CO<sub>2</sub> CYLINDER

Follow these steps to safely install the CO<sub>2</sub> regulator and CO<sub>2</sub> cylinder. You must read and understand the following procedures for the CO<sub>2</sub> cylinders before installation.

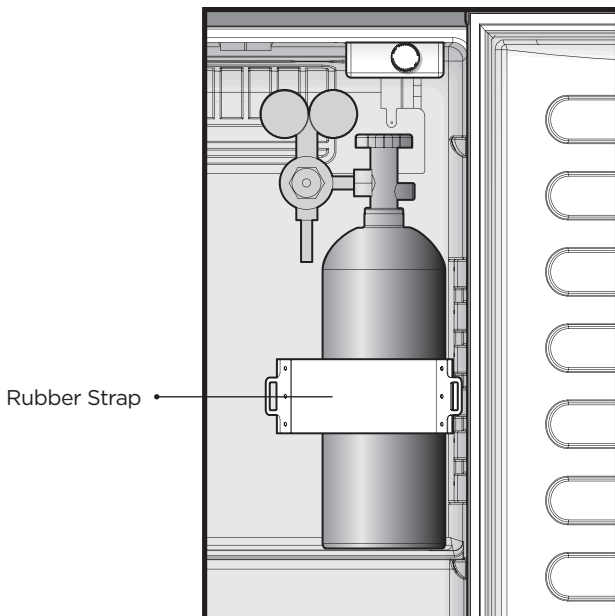
**NOTE:** Your CO<sub>2</sub> cylinder has DOT (USA Department of Transportation) approval, however the cylinder has been shipped empty to avoid any possible accidents during transportation. When you purchase the first keg of beer, you must also have your CO<sub>2</sub> cylinder filled at your local supplier.

1. Install the CO<sub>2</sub> gas line tube to the regulator by attaching one end of the tube to the hose barb connection on the CO<sub>2</sub> regulator. (See illustration E)
2. Attach the regulator to the CO<sub>2</sub> cylinder by screwing the regulator nut onto the cylinder valve and tightening with an adjustable wrench. (See illustration F)



## SET UP & USE

3. Wrap the rubber strap that is attached to the interior of the beer kegerator unit around the CO<sub>2</sub> bottle to secure the bottle in place (as shown below).



4. Position the cylinder so that you would be able to read the numbers on the gauges and have easy access to shut-off valves.

## DANGER

CO<sub>2</sub> can be dangerous! CO<sub>2</sub> cylinders contain high-pressured gas, which can be hazardous if handled improperly. They must be handled with care.

# SET UP & USE

## TAPPING THE BEER KEGERATOR INSTALLING KEG TAP (SINGLE-VALVE TYPE BARREL)

Follow these steps below to tap the beer keg.

1. Make sure the black pull handle of the tap is in the closed (up) position before installing it on the kegerator (Fig.1 - below). Insert the keg coupler into the locking neck of the beer keg and turn clockwise  $\frac{1}{4}$  to lock it into position (Fig.2 - below). This means that it is secured to the kegerator.
2. When connecting the beer line, it is very important that the black rubber washer be installed inside the wing nut before connecting the beer line to the tap (See Illustration A below). Remove the black rubber protective cap located on top of tap and screw the Wing nut with the rubber washer. Tighten it firmly by hand. (Fig.2 - below)
3. Attach the CO<sub>2</sub> line end of the tube to the hose connection on the tap. Next, secure the tube by using the remaining self-locking plastic snap-on clamp to ensure that there are no leaks. Secure the clamp tightly with pliers (Fig.3 - below).
4. Make sure the beer tower faucet is in the closed (handle pointing straight back) position before connecting the tap to the keg. To secure the tank connection, pull the tapping handle out and push down until it locks into position. Listen for the “click” of the pull handle when it shifts into the final downward position (Fig.4 - below). This will open the beer and gas valves. The keg is now tapped.
5. Carefully tilt the keg and rest the edge on the keg floor support on the bottom of the interior cabinet. Slide the beer keg slowly, ensuring that it is properly located (Fig.5 - below) and carefully close the door.
6. Your beer kegerator comes with a 2.5 lb. CO<sub>2</sub> bottle, which should be able to dispense four 15 gallon kegs of beer.

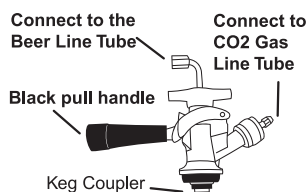


fig.1

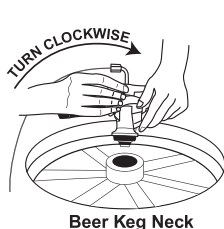


fig. 2



fig. 3

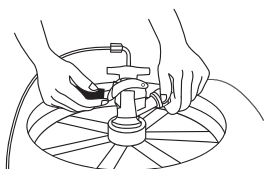


fig. 4

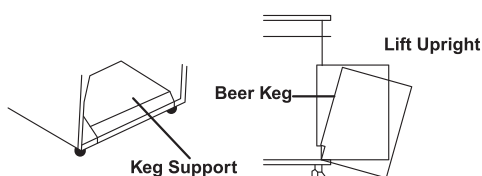


fig. 5

# SET UP & USE

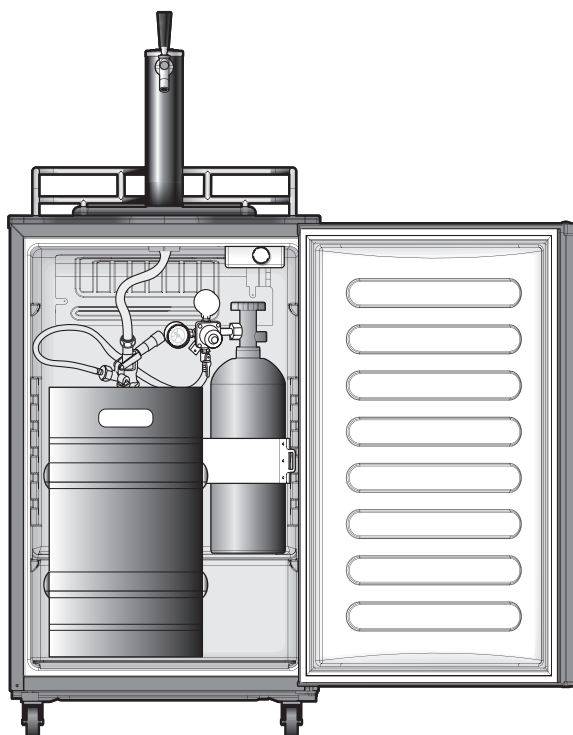
## OPERATING YOUR BEER KEGERATOR

### Dispensing Beer

Follow the steps below to dispense beer.

1. Make sure that the beer kegerator is plugged in properly to a 115V, 60Hz, 1.1 Amps grounded AC power outlet.
2. Place the drip tray under the beer tap to avoid excessive beer stains.
3. Open the beer faucet by pulling the tap towards you to dispense the beer.  
**NOTE:** If for any reason the beer does not come out of the tap, please refer to the “Tapping the beer Kegerator” section.
4. Increase the pressure if the beer runs too slowly.
5. Hold the glass steady at a 45° angle. When it is  $\frac{2}{3}$  full, straighten the glass. Proper foam should be a tight creamy head and the collar on an average glass should be  $\frac{3}{4}$ ” to 1” high, ideally.

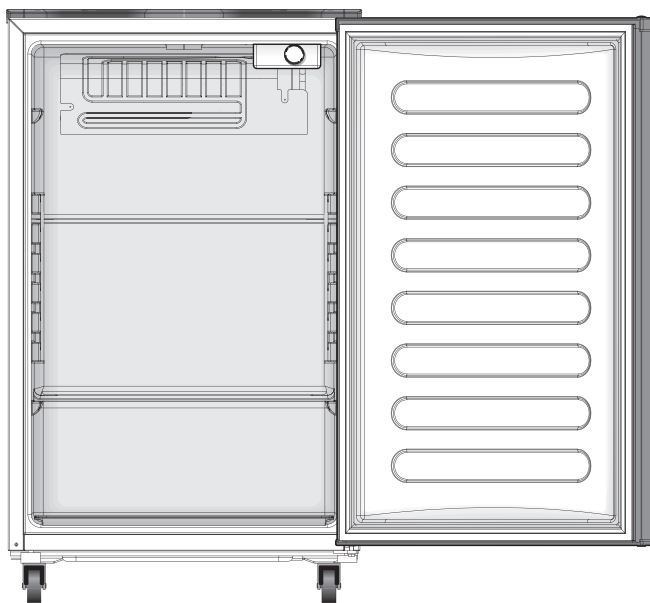
**NOTE:** It is normal to see condensation form on the faucet. It is caused by the difference of temperature between the cold beer and the inside of the faucet when beer is flowing through the line.



# SET UP & USE

## OPERATING THE UNIT AS A REFRIGERATOR

1. Make sure that the beer kegerator is plugged in properly to a 115V, 60Hz, 1.1 Amps grounded AC power outlet.
2. Adjust the temperature using the mechanical control dial. This unit can be programmed from 35.6 - 50.0 degrees Fahrenheit.
3. Two adjustable shelves are provided with the unit.
4. Place the "Beer Tower Hole Plug" on top of the unit instead of the beer tap when operating as a refrigerator.



# CLEANING AND CARE

## PROTECTING YOUR INVESTMENT

Keeping your kegerator clean maintains appearance and prevents odor build-up. Wipe up any spills immediately and clean the kegerator at least twice a year. When cleaning, take the following precautions:

- Never use CHLORIDE or cleaners with bleach to clean stainless steel.
- Do not wash any removable parts in a dishwasher.
- Always unplug the electrical power cord from the wall outlet before cleaning.
- Remove adhesive labels by hand. Do not use razor blades or other sharp instruments which can scratch the appliance surface.
- Do not remove the serial plate.

Do not use abrasive cleaners such as window sprays, scouring cleansers, brushes, flammable fluids, cleaning waxes, concentrated detergents, bleaches or cleansers containing petroleum products on plastic parts, interior doors, gaskets or cabinet liners. Do not use paper towels, metallic scouring pads, or other abrasive cleaning materials or strong alkaline solutions.

**NOTE:** If you set your temperature controls to turn off cooling, power to lights and other electrical components will continue until you unplug the power cord from the wall outlet.

**CAUTION:** Damp objects stick to cold metal surfaces. Do not touch refrigerated surfaces with wet or damp hands.

**IMPORTANT:** If you store or move your kegerator in freezing temperatures, be sure to completely drain the water supply system. Failure to do so could result in water leaks when the kegerator is put back into service. Contact a service representative to perform this operation.

**NOTE:** This kegerator is designed for Indoor Home Use Only.

CARE AND CLEANING TIPS		
Part	What To Use	Tips and Precautions
Interior and Door Liners	<ul style="list-style-type: none"> <li>• Soap and water</li> <li>• Baking soda and water</li> </ul>	Use 30 mL (2 tbsp) of baking soda in 945 mL (1 qt.) of warm water. <b>Be sure to wring excess water out of sponge or cloth before cleaning around controls, light bulb or any electrical part.</b>
Door Gaskets	<ul style="list-style-type: none"> <li>• Soap and water</li> </ul>	Wipe gaskets with a clean soft cloth.
Drawers and Bins	<ul style="list-style-type: none"> <li>• Soap and water</li> </ul>	Use a soft cloth to clean drawer runners and tracks.
Exterior and Handles	<ul style="list-style-type: none"> <li>• Soap and water</li> <li>• Non-abrasive glass cleaner</li> </ul>	Do not use commercial household cleaners containing ammonia, bleach or alcohol to clean handles. Use a soft cloth to clean smooth handles. <b>DO NOT use a dry cloth to clean smooth doors.</b>
Exterior and Handles (Stainless Steel Models Only)	<ul style="list-style-type: none"> <li>• Soap and water</li> <li>• Stainless steel cleaners</li> </ul>	<p><b>Never use CHLORIDE or cleaners with bleach to clean stainless steel.</b> Clean stainless steel front and handles with non-abrasive soapy water and a dishcloth. Rinse with clean water and a soft cloth. Use a non-abrasive stainless steel cleaner. These cleaners can be purchased at most home improvement or major department stores. Always follow manufacturer's instructions. Do not use household cleaners containing ammonia or bleach.</p> <p><b>NOTE: Always clean, wipe and dry with the grain to prevent scratching.</b> Wash the rest of the cabinet with warm water and mild liquid detergent. Rinse well, and wipe dry with a clean soft cloth.</p>



## TROUBLESHOOTING & WARRANTY

### BEFORE YOU CALL FOR SERVICE

IF THE APPLIANCE FAILS TO OPERATE:

- A) Check to make sure that the plug is plugged in securely. If it is not, remove the plug from the outlet, wait 10 seconds and plug it in again securely.
- B) Check for a blown circuit fuse or a tripped main circuit breaker. If these seem to be operating properly, test the outlet with another appliance.

IF NONE OF THE ABOVE SOLVES THE PROBLEM, CONTACT A QUALIFIED TECHNICIAN. DO NOT TRY TO ADJUST OR REPAIR THE APPLIANCE YOURSELF.

## IMPORTANT

### DO NOT RETURN THIS PRODUCT TO THE STORE

If you have a problem with this product, please contact the W Appliance CO. Customer Satisfaction Center at 855-855-0294 or [service@equitybrands.com](mailto:service@equitybrands.com)

DATED PROOF OF PURCHASE, MODEL # AND SERIAL #  
REQUIRED FOR WARRANTY SERVICE

# LIMITED WARRANTY

Any repair, replacement, or warranty service, and all questions about this product should be directed to W Appliance Co. at **855-855-0294** from the USA or Puerto Rico.

W Appliance Co. warrants to the original purchaser that the product will be free from defects in material, parts and workmanship for the period designated for this product. The warranty commences the day the product is purchased and covers up to a period of **1 year (12 months) for labor / 1 year (12 months) for parts (manufacturing defects only)**.

W Appliance Co. agrees that it will, at its option, replace the defective product with either a new or remanufactured unit equivalent to your original purchase during the warranty period.

**Exclusions:** This warranty does not apply to the below:

1. If the appearance or exterior of the product has been damaged or defaced, altered or modified in design or construction.
2. If the product original serial number has been altered or removed or cannot be readily determined.
3. If there is damaged due to power line surge, user damage to the AC power cord or connection to improper voltage source.
4. If damage is due to general misuse, accidents or acts of God.
5. If repair attempts are done by unauthorized service agents, use of parts other than genuine parts or parts obtained from persons other than authorized service companies.
6. On units that have been transferred from the original owner.
7. On products that have been purchased as refurbished, like new, second-hand, in a "As-Is" or "Final Sale" terms.
8. To products used in a commercial or rental setting.
9. To products used in settings other than ordinary household use or used other than in accordance with the provided instructions.
10. To damages for service calls for improper installations.
11. Transportation and shipping costs associated with the replacement of the unit.
12. Service calls to instruct you how to use your product.
13. Service calls to repair or replace the house fuse, reset the circuit breaker or correct the wiring in the house.

REPAIR OR REPLACEMENT AS PROVIDED UNDER THIS WARRANTY IS THE EXCLUSIVE REMEDY OF THE CUSTOMER; W Appliance Co. SHALL NOT BE LIABLE FOR ANY INCIDENTAL OR CONSEQUENTIAL DAMAGES FOR BREACH OF ANY EXPRESS OR IMPLIED WARRANTY ON THIS PRODUCT, EXCEPT TO THE EXTENT PROHIBITED BY APPLICABLE LAW. ANY IMPLIED WARRANTY OF MERCHANTABILITY OF FITNESS FOR A PARTICULAR PURPOSE ON THIS PRODUCT IS LIMITED TO THE DURATION OF THE WARRANTY.

Some states do not allow the exclusion or limitations of incidental or consequential damages, or limitations on how long the warranty lasts. In these cases the above exclusions or limitations may not apply to you. This warranty gives you specific legal rights and you may also have other rights which vary from state to state.

**Obtaining Service:** To obtain service, product literature, supplies or accessories please call **855-855-0294** to create a ticket for exchange/repair. Please make sure to provide the date of purchase, model number and a brief description of the problem. Our customer service representative will contact you or send detailed return instructions.

W Appliance Co. does not warrant that the appliance will work properly in all environmental conditions, and makes no warranty and representation, either implied or expressed, with respect to the quality, performance, merchantability, or fitness for a particular purpose other than the purpose identified within this user's manual. W Appliance Co. has made every effort to ensure that this user's manual is accurate and disclaims liability for any inaccuracies or omissions that may have occurred. Information in this user's manual is subject to change without notice and does not represent a commitment on the part of W Appliance Co.. W Appliance Co. reserves the right to make improvements to this user's manual and/or to the products described in this user's manual at any time without notice. If you find information in this manual that is incorrect, misleading, or incomplete, please contact us at **855-855-0294**.

W Appliance Co.  
1356 Broadway  
New York, NY 10018





© 2022 W Appliance Company. All Rights Reserved.  
1356 Broadway, New York, NY 10018

January 2022